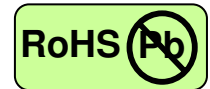


# 155Mbps ATM-Single Mode Transceiver



2x5 SFF, Duplex LC Connector, 1310nm FP LD for Single Mode Fiber, RoHS Compliant



## Features

- 1310nm FP LD
- Data Rate: 155Mbps, NRZ
- Single +3.3V Power Supply
- RoHS Compliant and Lead-free
- PECL Differential Electrical Interface
- Compliant with Multi-Source Agreement (MSA) Small Form Factor (SFF) 2x5 Footprint
- Duplex LC Connector
- Compliance with
  - 100Base-FX of IEEE802.3u Standard
  - FDDI PMD Standard
  - ATM Standard
- Eye Safety
  - Designed to meet Laser Class 1 comply with EN60825-1

## Applications

- Fast Ethernet
- FDDI
- ATM/SONET OC-3/SDH STM-1
- Single mode fiber links
- Optical-Electrical Interface Conversion

## Description

The CT-0155TSR-Mx6L series from Coretek Opto Corp. are the high performance and cost-effective modules for serial optical data communication applications specified for single mode of 155 Mb/s. It operates with +3.3V power supply. The module is intended for single mode fiber, operates at a nominal wavelength of 1310nm and complies with Multi-Source Agreement (MSA) Small Form Factor (SFF) 2x5 footprint. Each module consists of a transmitter optical subassembly, a receiver optical subassembly and an electrical subassembly. All of them are housed in a plastic package and the combination produces a reliable component.

The module is a duplex LC transceiver designed for use in fast Ethernet applications and to provide an ATM/SONET OC-3/SDH STM-1 compliant link for 155 Mb/s long reach applications. The characteristics are performed in accordance with Telcordia Specification GR-468-CORE.

## EMC

Most equipment utilizing high-speed transceivers will be required to meet the following requirements:

- 1) FCC in the United States
- 2) CENELEC EN55022 (CISPR 22) in Europe

To assist the customer in managing the overall equipment EMC performance, the transceivers have been designed to satisfy FCC class B limits and provide good immunity to radio-frequency electromagnetic fields.

## Eye Safety

The transceivers have been designed to meet Class 1 eye safety and comply with EN 60825-1.

# 155Mbps ATM-Single Mode Transceiver



## Product Information

Model Number	Operating Voltage & SD Output	Distance	LD Type & Wavelength	Output Power	Sensitivity
CT-0155TSR-M26L	3.3V PECL DC/DC	40 km	1310 nm FP	-5 ~ 0 dBm	$\leq -34$ dBm
CT-0155TSR-ME6L	3.3V TTL DC/DC				

## ABSOLUTE MAX RATINGS

PARAMETER	SYMBOL	MIN	MAX	UNIT	NOTE
Storage Temperature	$T_S$	-40	85	$^{\circ}\text{C}$	
Supply Voltage	$V_{CC}$	0	6	V	
Lead Soldering Temperature/Time	$T_{SOLD}$		260	$^{\circ}\text{C}$	10 sec on lead
Data Input Voltage	---	0	$V_{CC}$	V	

## OPERATING CONDITIONS

PARAMETER	SYMBOL	MIN.	TYP.	MAX.	UNIT	NOTE
Ambient Operating Temperature	$T_A$	0		70	$^{\circ}\text{C}$	
Supply Voltage	$V_{CC}$	3.1		3.5	V	

## ELECTRICAL CHARACTERISTICS

PARAMETER	SYMBOL	MIN	MAX	UNIT	NOTE
<b>Transmitter</b>					
Transmitter Supply Current	$I_{CCT}$		200	mA	
TTL Transmit Disable Input Voltage - Low	$V_{IL}$		0.8	V	
TTL Transmit Disable Input Voltage - High	$V_{IH}$	$V_{CC}-1.3$	$V_{CC}$	V	
<b>Receiver</b>					
Receiver Supply Current	$I_{CCR}$		100	mA	
Receiver Data Output Voltage – Low	$V_{OL}-V_{CC}$	-1.810	-1.620	V	1
Receiver Data Output Voltage – High	$V_{OH}-V_{CC}$	-1.025	-0.880	V	1
Signal Detect Output Voltage – Low (for PECL)	$V_{OL}-V_{CC}$	-1.810	-1.620	V	1
Signal Detect Output Voltage – High (for PECL)	$V_{OH}-V_{CC}$	-1.025	-0.880	V	1
Signal Detect Output Voltage – Low (for TTL)	$V_{OL}-V_{CC}$		0.4	V	1
Signal Detect Output Voltage – High (for TTL)	$V_{OH}-V_{CC}$	2.4		V	1

## TRANSMITTER ELECTRO-OPTICAL CHARACTERISTICS

PARAMETER	SYMBOL	MIN	TYP.	MAX	UNIT	NOTE
Optical Output Power	$P_o$	-5		0	dBm	2
Extinction Ratio	ER	10			dB	
Center Wavelength	$\lambda_c$	1263	1310	1360	nm	
Spectral Width (RMS)	$\Delta \lambda$			3	nm	
Optical Rise time ( 10%-90% )	$t_r$			2.0	ns	3
Optical Fall time ( 10%-90% )	$t_f$			2.0	ns	3
Output Eye		Compliant with ITU recommendation G957				

# 155Mbps ATM-Single Mode Transceiver



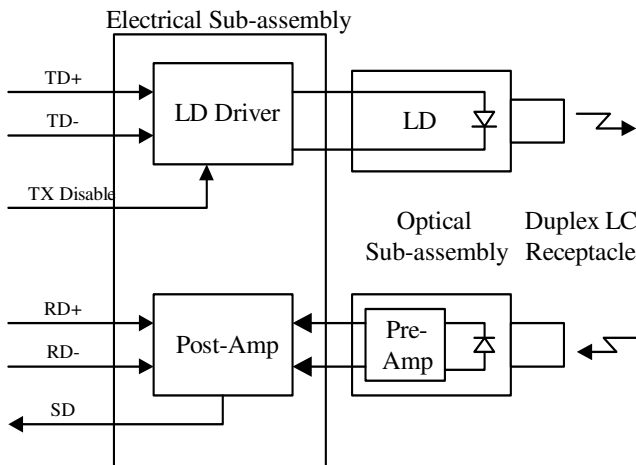
## RECEIVER ELECTRO-OPTICAL CHARACTERISTICS

PARAMETER	SYMBOL	MIN	TYP.	MAX	UNIT	NOTE
Maximum Input Optical Power	$P_{max}$	-3			dBm	4
Receiver Sensitivity	$P_{min}$			-34	dBm	4
Operating Wavelength	$\lambda$	1100		1600	nm	
Signal Detect - Asserted	$P_A$			-34	dBm	5
Signal Detect - Deasserted	$P_D$	-47			dBm	6
Signal Detect - Hysteresis	$P_A - P_D$	0.5		4	dB	

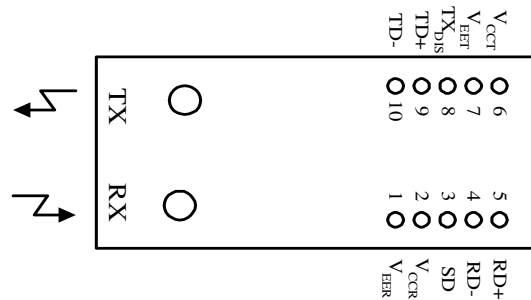
### Notes:

1. These outputs are compatible with 10K, 10KH, 100K ECL and PECL inputs.
2. Measured average power coupled into 9/125  $\mu$  m single mode fiber.
3. These are 10-90% values.
4. Measured with  $2^{23}-1$  PRBS at  $BER < 10^{-10}$
5. Measured on transition – low to high
6. Measured on transition – high to low

## BLOCK DIAGRAM OF TRANSCEIVER



## PIN OUT DIAGRAM OF TRANSCEIVER



## PIN OUT TABLE

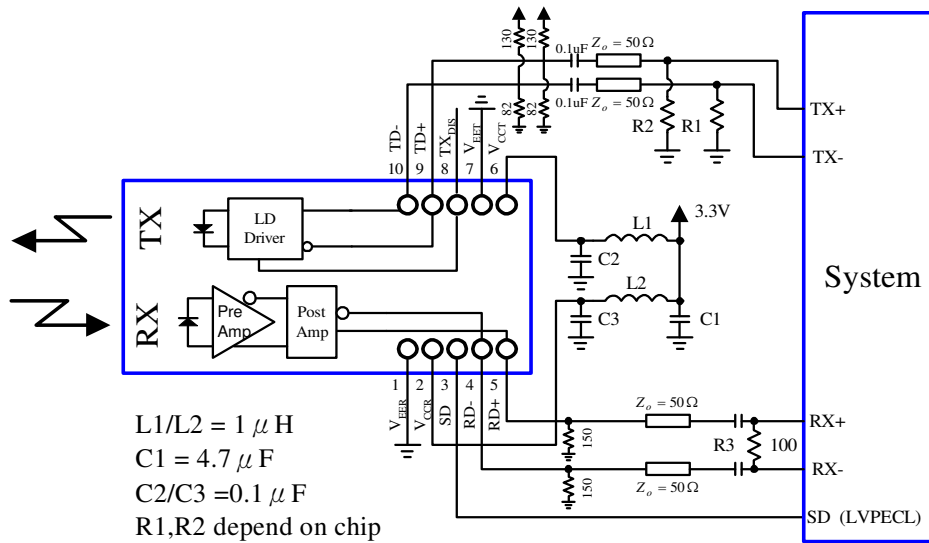
Pin	Symbol	Functional Description
Mounting Posts		
The mounting posts are provided for transceiver mechanical attachment to the circuit board. They should not be connected to the circuit ground but can be connected to the chassis ground.		
1	$V_{EER}$	Receiver Signal Ground
2	$V_{CCR}$	Receiver Power Supply
3	SD	Signal Detect is a PECL or TTL output. A high level indicates a received optical signal
4	RD-	Receiver Data Inverted Differential Output
5	RD+	Receiver Data Non-inverted Differential Output
6	$V_{CCT}$	Transmitter Power Supply
7	$V_{EET}$	Transmitter Signal Ground
8	$TX_{DIS}$	Transmitter Disable
9	TD+	Transmitter Data Non-inverted Differential Input
10	TD-	Transmitter Data Inverted Differential Input

# 155Mbps ATM-Single Mode Transceiver

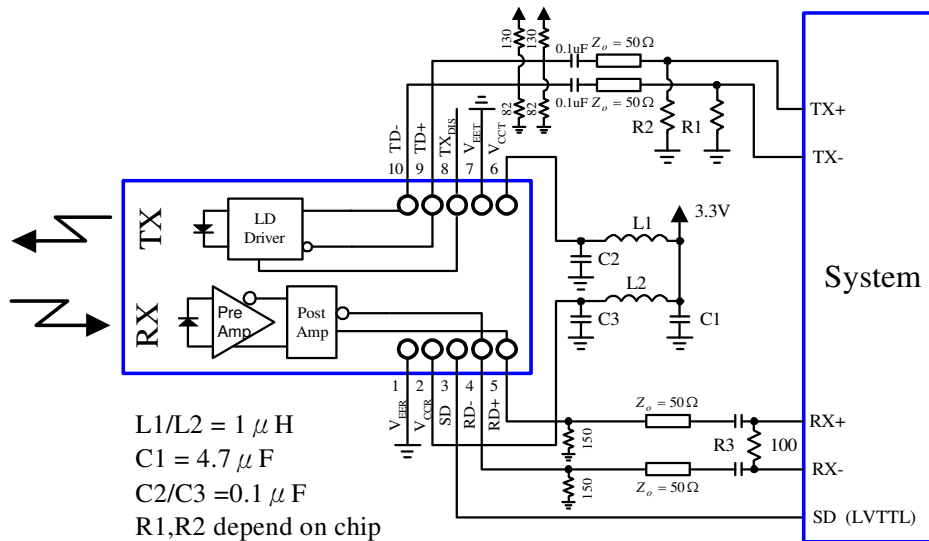


## RECOMMENDED CIRCUIT SCHEMATIC

### 1) 3.3V SD PECL Module



### 2) 3.3V SD TTL Module

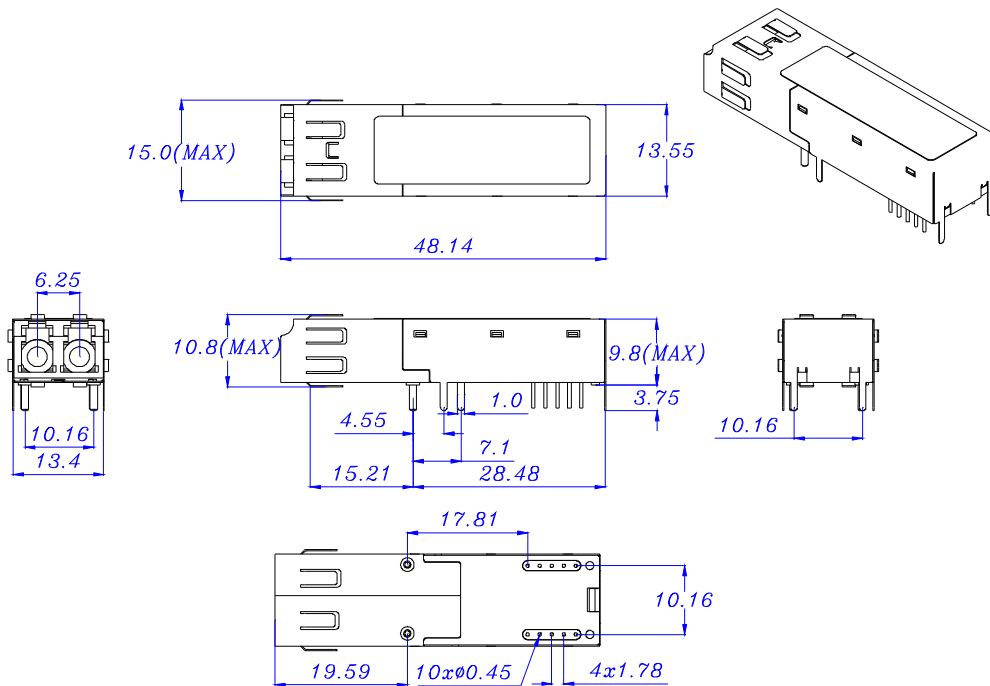


# 155Mbps ATM-Single Mode Transceiver



## MECHANICAL DIMENSIONS

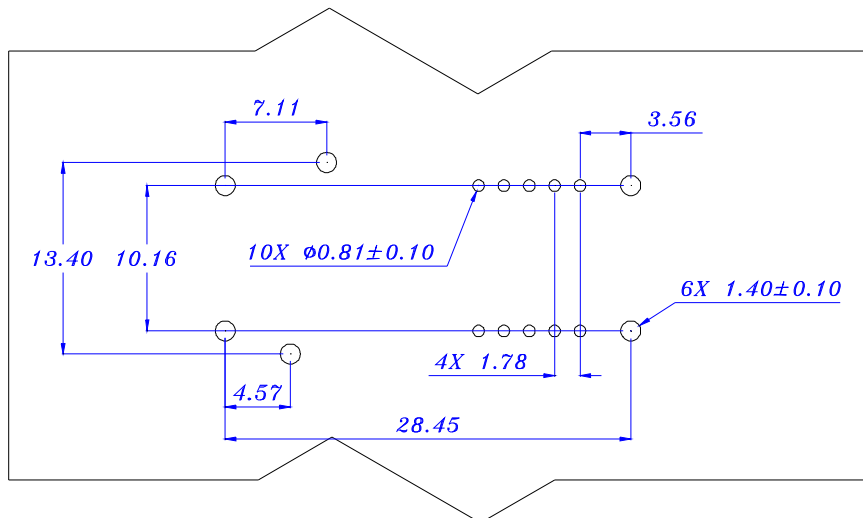
Units in mm



All dimensions are  $\pm 0.2\text{mm}$  unless otherwise specified.

## RECOMMENDED SFF HOST BOARD LAYOUT

Units in mm



### Claim:

CORETEK Opto Corp. reserves the right to make changes in the specification described hereinafter without prior notice.